

DETAIL COURTESY OF TRPA
EROSION CONTROL TEAM

- NOTES**
1. INSTALL ALONG SLOPE CONTOUR, PERPENDICULAR TO SLOPE DIRECTION.
 2. INSTALL FROM BOTTOM OF SLOPE UP TO PREVENT ACCIDENTAL DOWNSLOPE CONTAMINATION.
 3. FIBER ROLLS MUST BE ENTRENCHED 1/3 TO 1/2 HEIGHT OF ROLL TO ENSURE MAXIMUM CONTACT SURFACE AREA WITH SOIL.
 4. ENSURE THAT THE FIBER ROLL MAKES GOOD CONTACT WITH THE SOIL AT ALL LOCATIONS; THERE SHALL BE NO GAPS BENEATH THE FIBER ROLL.
 5. FIBER ROLLS SHALL BE STAKED IN SUCH A MANNER THAT THEY ARE NOT DISTURBED BY WIND OR SHEET FLOW RUNOFF.
 6. IF MORE THAN ONE FIBER ROLL IS PLACED IN A ROW, THE ROLLS SHOULD BE OVERLAPPED A MINIMUM OF 18", NOT ABUTTED.
 7. TURN THE ENDS OF THE FIBER ROLL UP SLOPE TO PREVENT RUNOFF FROM GOING AROUND THE ROLL.
 8. FIBER ROLLS SHALL BE A MINIMUM 12" DIAMETER AND USED ON SLOPES LESS THAN 7%.
 9. INSPECT AND MAINTAIN FIBER ROLLS DAILY AND AFTER EACH STORM EVENT. REMOVE SEDIMENT DEPOSITS WHEN DEPOSITS REACH 1/3 HEIGHT OF INSTALLED BARRIER.



City of South Lake Tahoe

ENGINEERING DEPARTMENT

EROSION CONTROL

FIBER ROLLS

APPROVED BY:

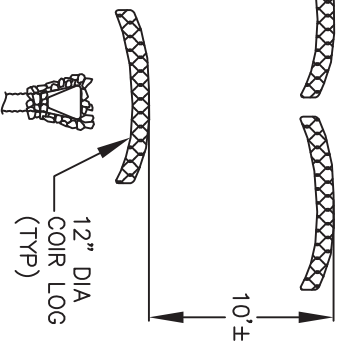
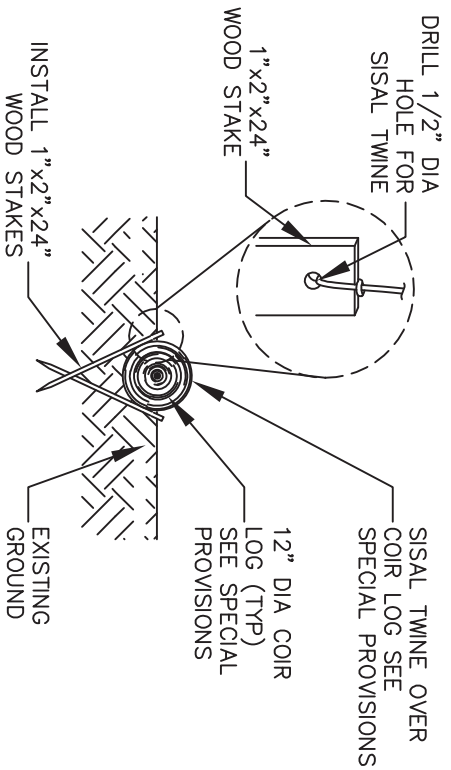
05/01/09

CITY ENGINEER

NOT TO SCALE

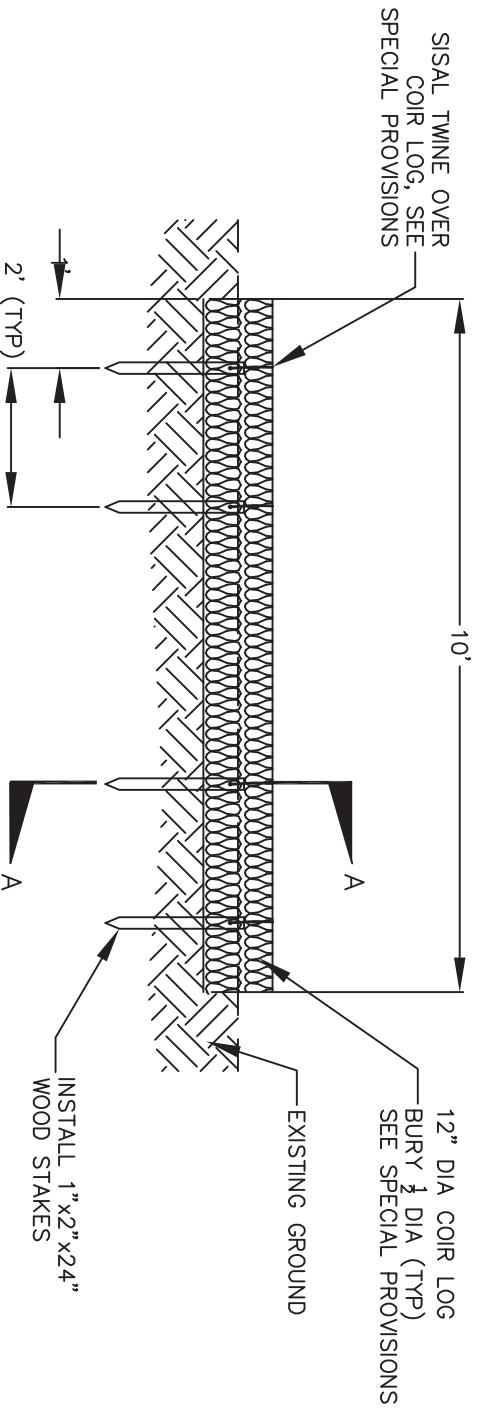
STANDARD DRAWING

SD80



SECTION A-A

COIR LOG PLAN



COIR LOG PROFILE

NOTE:
 PLACEMENT OF COIR LOGS IS SUBJECT TO EXISTING CONDITIONS. FINAL
 LOCATIONS TO BE DETERMINED BY THE ENGINEER IN THE FIELD.



City of South Lake Tahoe
 ENGINEERING DEPARTMENT
 EROSION CONTROL
 COIR LOG STAKING

APPROVED BY:

05/01/09

CITY ENGINEER

NOT TO SCALE

STANDARD DRAWING

SD84